

MVAM109

Tuning Diodes — Hyper-Abrupt Junction

The Hyper-Abrupt family exhibits higher capacitance, and a much larger capacitance ratio. It is particularly well suited for wider-range applications such as AM/FM radio and TV tuning.



CASE 182-02
TO-226AC
(TO-92)

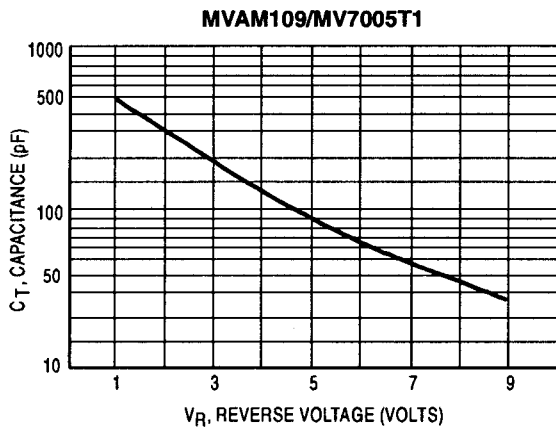


FIGURE 1 - TYPICAL AM RADIO APPLICATION

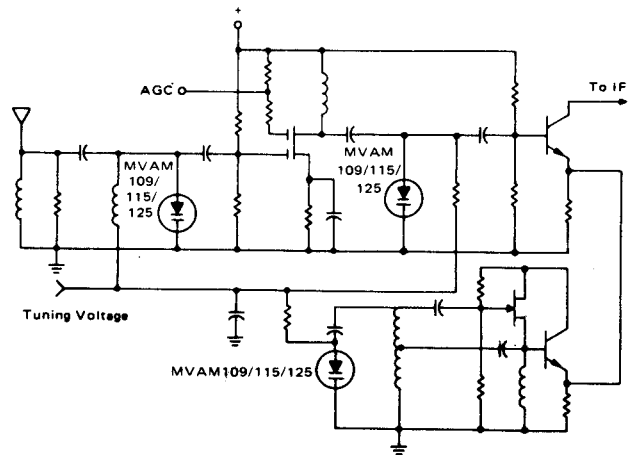


Table 46. Hyper-Abrupt Tuning Diodes for Low Frequency Applications — Single

The following is a listing of AM, hyper-abrupt tuning diodes that have a large capacity range and are designed for low frequency circuit applications.

Device	C _T @ 1.0 MHz			Cap Ratio @ V _R		V _(BR) R Volts	Style	CV Curve Figure
	pF Min	pF Max	Volts	Min	Volts			

Case 182-02— TO-226AC (TO-92)

<i>MVAM108</i>	440	560	1.0	15	1.0/8.0	12	1	7
<i>MVAM109</i>	400	520	1.0	12	1.0/9.0	15	1	8
<i>MVAM115</i>	440	560	1.0	15	1.0/15	18	1	9
<i>MVAM125</i>	440	560	1.0	15	1.0/25	28	1	10